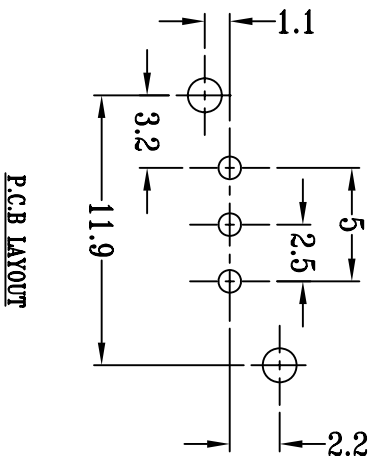
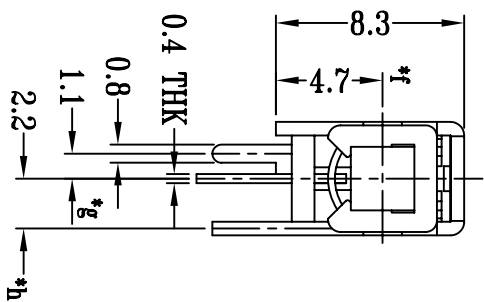
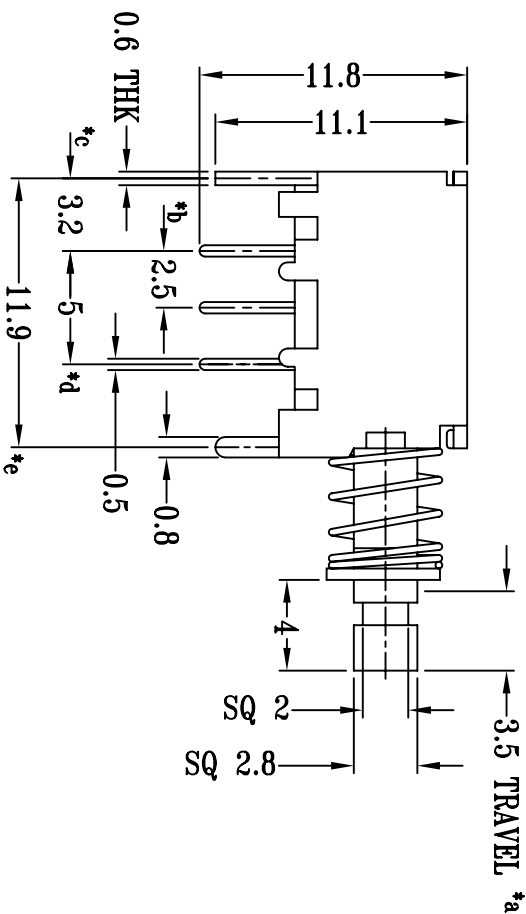
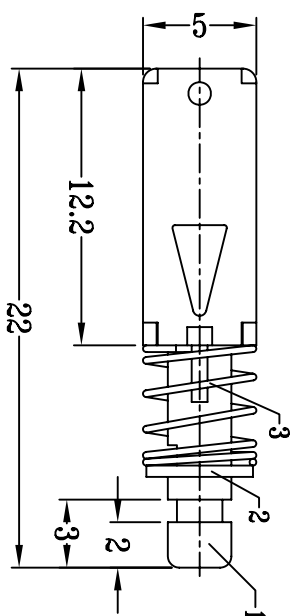
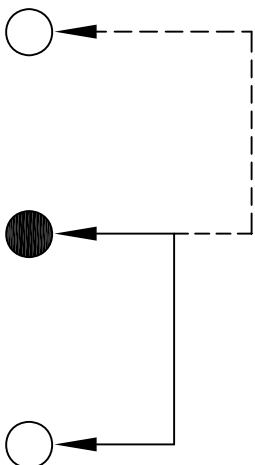




CAD FILE:



SCHEMATIC (NON-SHORTING)



8	CONTACT CLIP	PBS	1	Ag CLAD							
7	TERMINAL	BRASS STRIP	3	Ag PLATED OVER Ni PLATED							
6	BASE	PHENOLIC RESIN	1	NATURAL							
5	FRAME	STEEL STRIP	1	Ni PLATED							
4	SPRING PLATE	PBS STRIP	1	NATURAL							
3	SPRING	STAINLESS STEEL	1	Ni PLATED							
2	BLOCK	STEEL STRIP	1	Ni PLATED							
1	KNOB	POM	1	BLUE							
NO.	PARTS	MATERIALS	Q'TY	FINISH							
					TOLERANCE		SHENZHEN XIEJIA ELECTRONICS CO.,LTD.				
					UNLESS SPECIFIED						
					WITHIN: 1.5±0.1mm						
					OVER: 1.5±0.2mm						
					ISSUE		DATE		DESCRIPTIONS OF REVISION		
					TITLE: PUSH SWITCH		UNIT: mm		SCALE: 3:1		
					MODEL: PS-12E15		DRWG NO.: XJ-DR-PS12E15-00		DWN. ZHOUTU		
					ALL MATERIALS MUST BE COMPLIANT TO ROHS		APPD.		2004-4-10		
							CHK'D FANGYING		2004-4-10		
							APPD. KANGXIAN		2004-4-10		

注:带*表示关键尺寸(8个)